

SPECIFICATIONS

Product Description: **8" EXPLOSION PROOF VENTILATION PASSTHRU**
 Part Number: **9510-50EX**
 Style: **MANHOLE**

GENERAL DESCRIPTION:

The Manhole Ventilation Passthru (MVP) is designed to maintain and re-direct air flow with minimal restriction into manholes, sewers, and tanks. The EX MVP is constructed to remove static electricity buildup, which can be a source of ignition for fire and explosions. The MVP is the first manhole system that combines the low-profile manhole air vent, 90° elbow, and built in mounting all into one easy assembly. Patented by Allegro (US Patent No. D673,668).



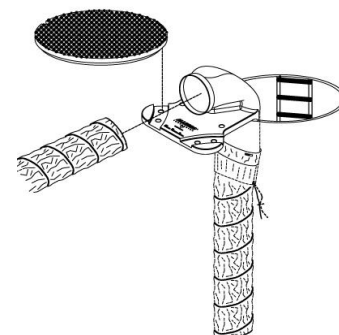
MATERIAL:

EX MVP

- Semi-conductive Polyethylene
- Recyclable
- Black color

DUCTING

- Single-ply neoprene coated polyester fabric.
- Compressible inner support coils
- Heat resistant up to 250° F (121.1° C)
- Meets ASTM 227 specs
- UL 94V-0 Flame Retardant



FEATURES:

- Low profile elbow fits underneath the lower cross bar of the guardrail
- Manhole cover fits into flat channeled corners for stabilization
- Small storage bag holds ducting
- Quick release draw string to drop ducting into manhole
- Collapsible duct for easy entry springs back into shape once worker is down into the manhole
- Combines three components, the low-profile manhole air vent, 90° elbow and built-in mounting all into one easy assembly
- Reducing overall size, storage, and shipping cost

DIMENSIONS:

PN	Length	Width	Height	Weight
9510-50EX	32" (81.3 cm) (duct stored) 72" (182.9 cm) (duct in use)	20" (50.8 cm)	23" (58.4 cm)	11 lbs. (4.9 kg)

AVAILABLE:

9510-50EX 8" Explosion Proof Manhole Ventilation Passthru (EX MVP) w/ 6' (1.83 m) Duct.
9520-03MEX 8" HD EX 9503 Blower kit w/ 8" EX MVP.
9520-05MEX 8" Axial AC EX 9514-05 Blower kit w/ 8" EX MVP.
9520-38MEX 8" Axial AC EX 9538-15 Plastic Blower kit w/ 8" EX MVP.