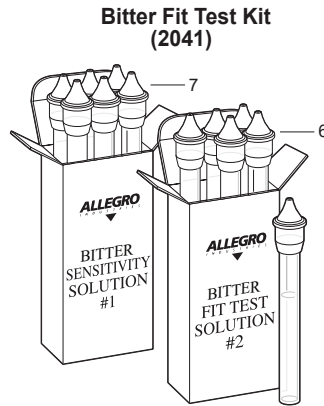
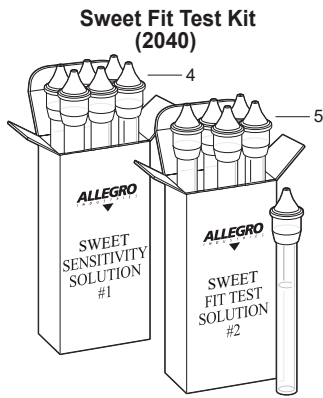
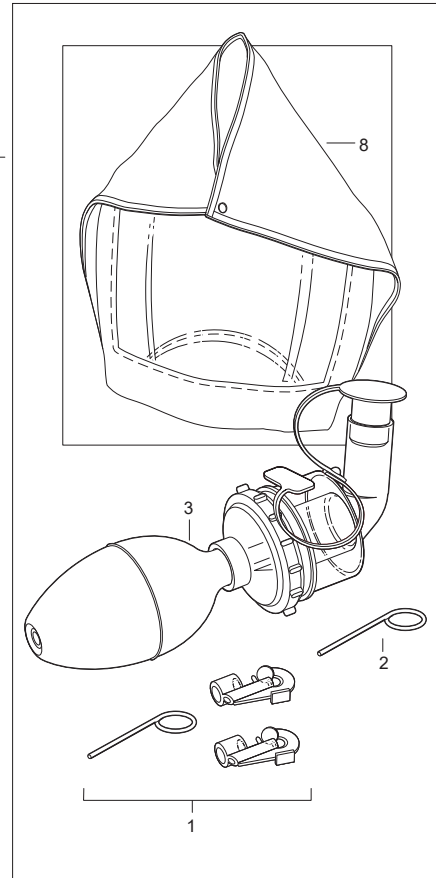




<b>PRODUCT:</b>	<b>SWEET &amp; BITTER FIT TEST KITS</b>
<b>PART NUMBER:</b>	<b>2040 (SWEET FIT TEST KIT)</b> <b>2041 (BITTER FIT TEST KIT)</b> <b>2040-DLX (DELUXE SWEET FIT TEST KIT)</b> <b>2041-DLX (DELUXE BITTER FIT TEST KIT)</b>



Common to both BITTER and SWEET Test Kits



KEY	PART #	DESCRIPTION	KEY	PART #	DESCRIPTION	KEY	PART #	DESCRIPTION
	2040	Sweet (Saccharin) Test Kit	2	2040-80	Cleaning Tool	7	2041-12K	Bitter Fit Test Solution (6/Box)
	2041	Bitter (Denatonium Benzoate) Test Kit	3	2040-08N	Fit Test Nebulizer (Includes Sensitivity and Test Solution Labels)	8	2040-04	Test Hood (Use w/ Sweet & Bitter)
	2040-DLX	Deluxe Sweet Fit Test Kit	4	2040-11K	Sweet Sensitivity Solution (6/Box)			
	2041-DLX	Deluxe Bitter Fit Test Kit	5	2040-12K	Sweet Fit Test Solution (6/Box)			
1	2040-09	Nozzle (Blue) Kit (Includes 2 nozzles, 1 cleaning tool)	6	2041-11K	Bitter Sensitivity Solution (6/Box)			